

THOR
**ELECTRONIC
EXHAUST**

INSTALLATION MANUAL



CONTENTS

| | |
|---|----|
| Scope of supply and tools | 4 |
| General installation recommendations | 5 |
| System installation process | 6 |
| Speaker acoustic system location | 7 |
| Installation places and attaching the speaker acoustic system | 8 |
| Speaker acoustic system installation methods | 11 |
| THOR main unit installation | 19 |
| THOR app downloading and installation | 20 |
| Selecting the car | 21 |
| System check | 22 |
| Remote programming | 23 |
| Installation diagram | 24 |
| Warranty | 26 |

SCOPE OF SUPPLY

THOR electronic control unit

THOR speaker acoustic system 1 or 2 devices

Universal bracket kit 1 or 2 brackets

Speaker acoustic system connection cable 1 or 2 cables

Main harness

Installation manual

Universal bracket user manual

TOOLS

Electrician tool kit

Fitting tool kit

Testing equipment

Welding unit if necessary

GENERAL INSTALLATION RECOMMENDATIONS

To install the THOR system correctly, please follow our recommendations:

- For the first installation on your vehicle, please contact THOR technical support for installation instructions.






Technical support
contact:

Phone / **+49 170 976 76 74**
E-mail: **Info@torotr.eu**

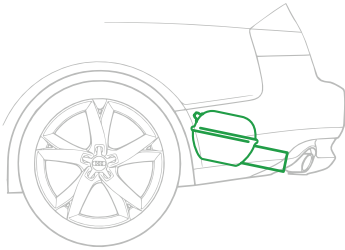
In any case, please follow the installation sequence below:

- Determine the CAN bus and power connection points.
- Test the connection of THOR electronic unit before installation the system components and wiring. Temporarily connect at least one THOR speaker to test the functioning.
- Program the THOR control unit using your smartphone by selecting the required vehicle in the mobile application menu.
- Start the car. If the system works correctly, proceed the final installation of the system components. Please see the corresponding information in this manual.
- **If no sound appears, please contact THOR technical support.**
- If you have no experience in installing electronic devices on a car, please contact professionals in a certified center. Incorrect installation can cause damage the vehicle or THOR system. The THOR manufacturer is not liable for damages caused by incorrect installation.

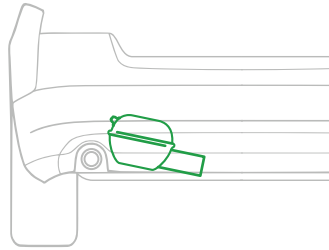
SYSTEM INSTALLATION PROCESS

-  1 Install the speaker acoustic system.
-  2 Connect the harness to CAN and IGN circuits.
-  3 Route the harnesses.
-  4 Connect the system components.
-  5 Check that the system is working properly.

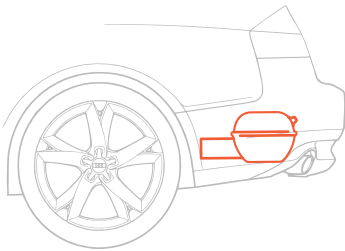
SPEAKER ACOUSTIC SYSTEM LOCATION



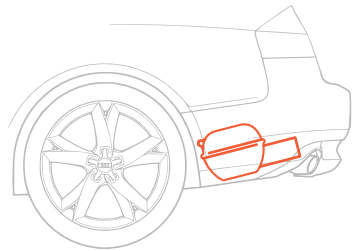
- ✓ Install the speaker acoustic system against the direction of vehicle motion with flare end down.



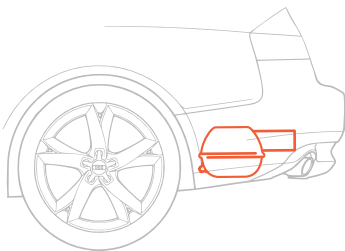
- ✓ It is allowed to install the speaker acoustic system in profile plane.



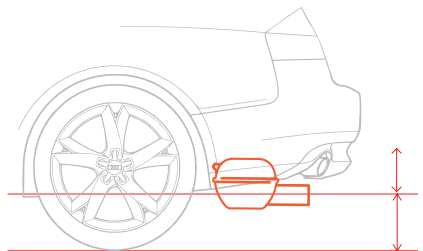
- ✗ Do not install the speaker acoustic system in the direction of vehicle motion.



- ✗ Do not install the speaker acoustic system with flare end up.



- ✗ Do not install the speaker acoustic system with flare end on top.

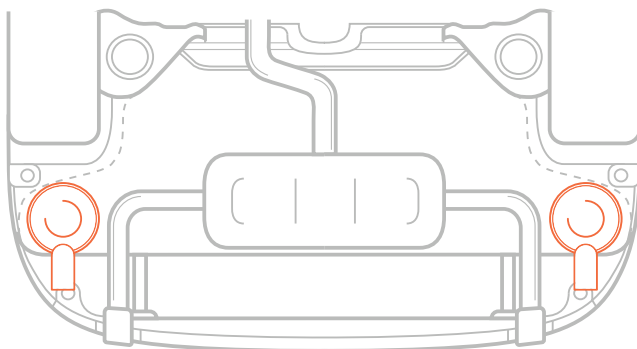
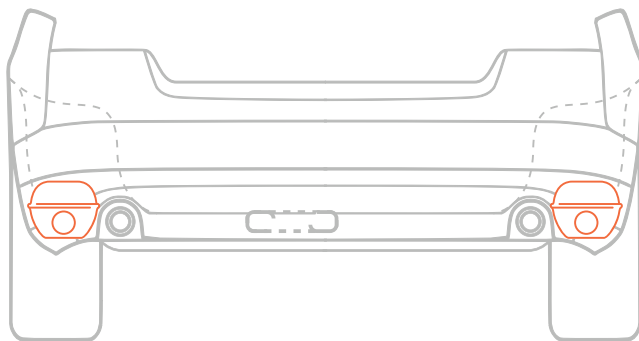


- ✗ Do not install the speaker acoustic system lower than vehicle road clearance.

INSTALLATION PLACES

1. ON VEHICLE'S EXHAUST SYSTEM

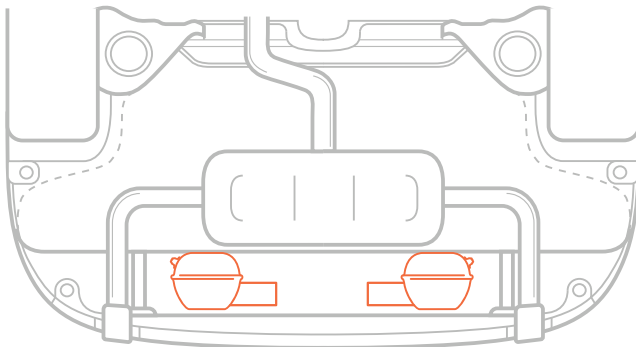
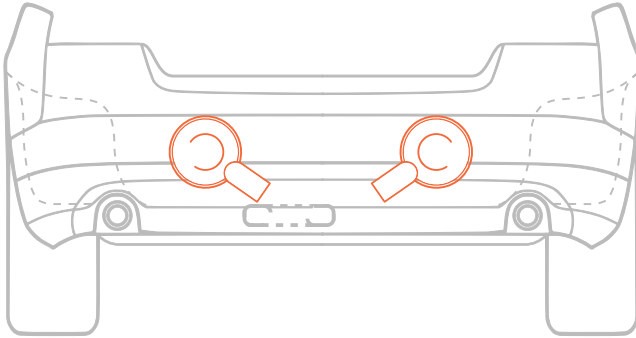
Towards the end of the exhaust line where the exhaust temperature is low.



INSTALLATION PLACES

2. ON FIXED BODY PARTS

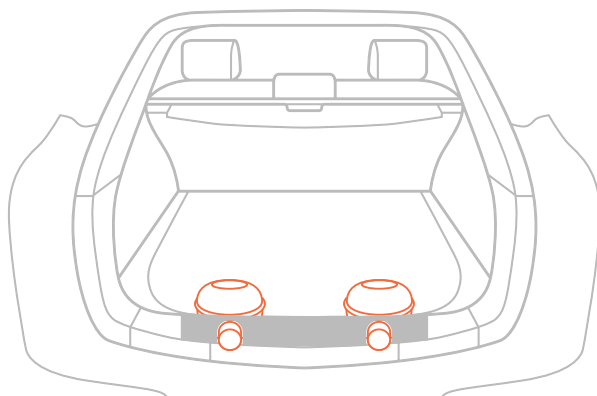
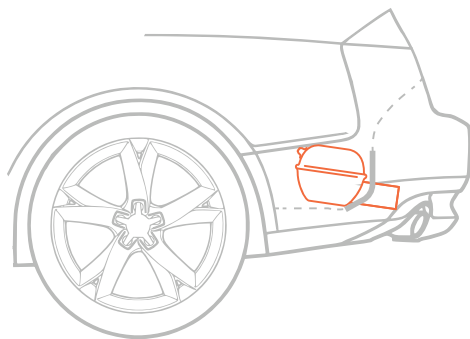
- Bumper reinforcement
- Girder frames
- Cavities and pockets on the car bottom
- Behind the rear bumper



INSTALLATION PLACES

3. IN TRUNK

The tube of the speaker acoustic system is led out through an additional opening in the trunk.



MOUNTING THE SPEAKER ACOUSTIC SYSTEM USING THE BRACKET

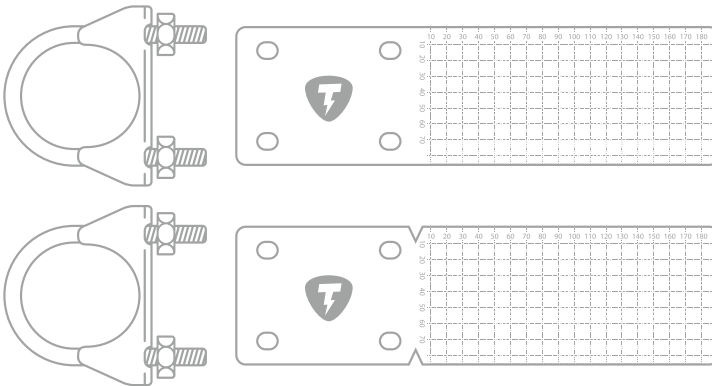
RECOMMENDED TYPE OF INSTALLATION

The speaker acoustic system is supplied with a universal installation kit and detailed manual.

The speaker tube is attached to the bracket by clamps. It is necessary to use the supplied universal brackets or prepare a special bracket according to the conditions of the installation place.

The bracket and connection should be strong enough to support the speaker acoustic system and carry high vibration loads.

UNIVERSAL BRACKET KIT



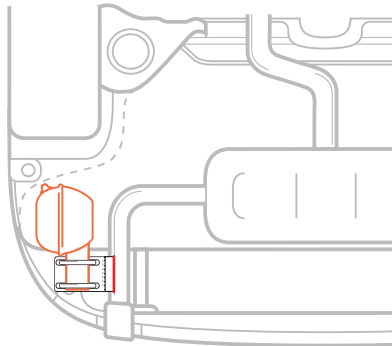
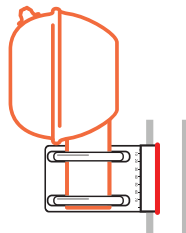
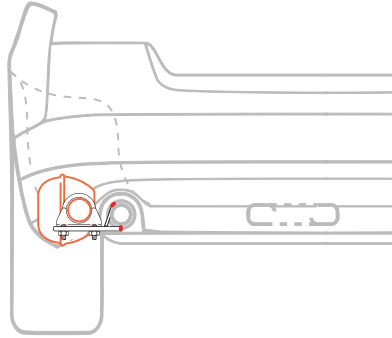
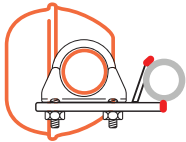
Universal
bracket kit
manual

The universal bracket and reinforcement plate can be modified and welded, clamped or screwed to the vehicle body or the exhaust system.

The speaker acoustic system should be attached by clamps ONLY!

MOUNTING THE SPEAKER ACOUSTIC SYSTEM ONTO THE EXHAUST SYSTEM

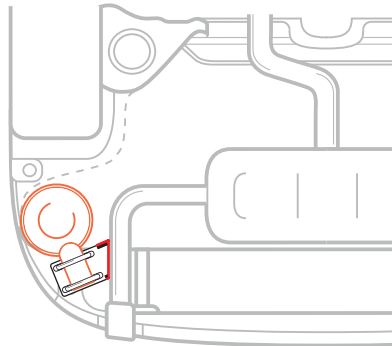
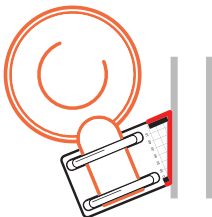
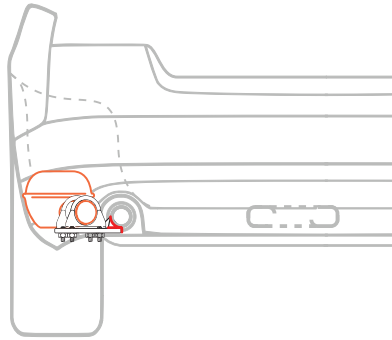
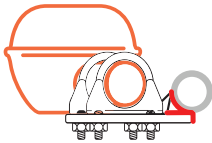
1. The speaker acoustic system is attached to the exhaust pipe by welding using the universal bracket and reinforcement plate as a stiffener.



● *Welding*

MOUNTING THE SPEAKER ACOUSTIC SYSTEM ONTO THE EXHAUST SYSTEM

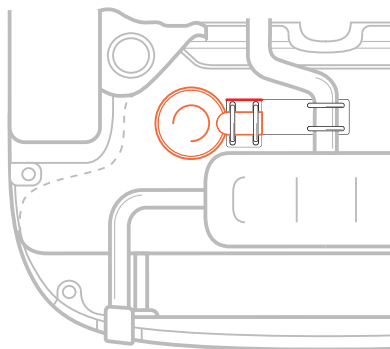
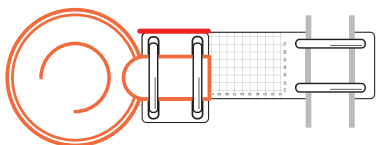
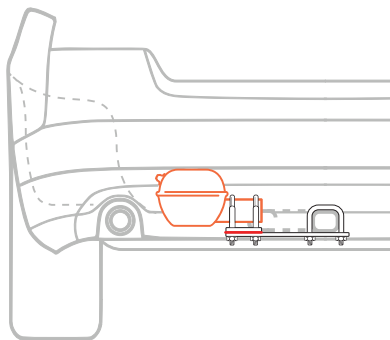
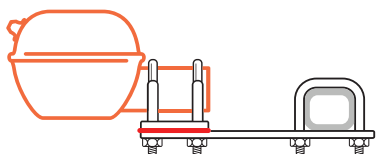
2. The speaker acoustic system is attached to the exhaust pipe at an angle by welding using the a stiffeners.



● *Welding*

MOUNTING THE SPEAKER ACOUSTIC SYSTEM ONTO THE EXHAUST SYSTEM

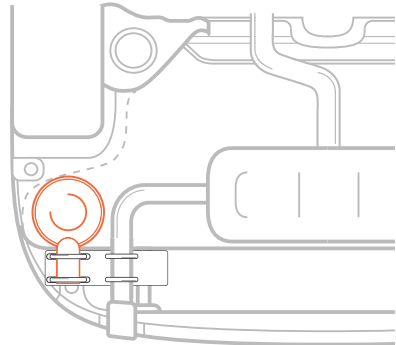
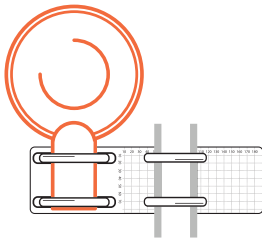
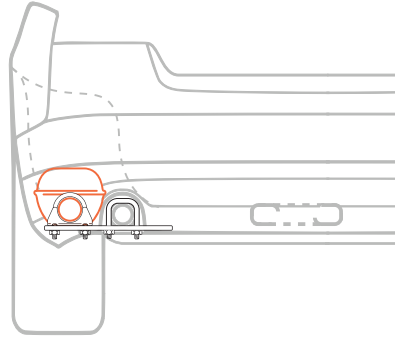
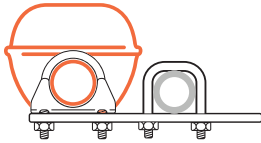
3. The speaker acoustic system is attached to the exhaust pipe perpendicularly using a bracket with clamps.



● *Welding*

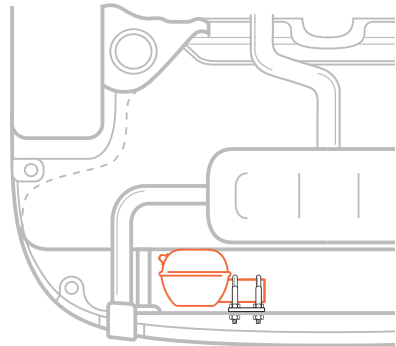
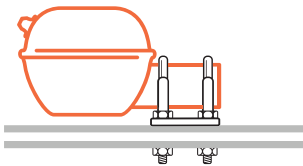
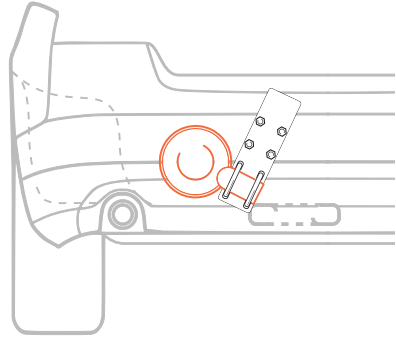
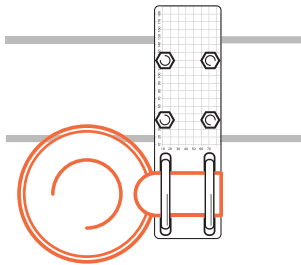
MOUNTING THE SPEAKER ACOUSTIC SYSTEM ONTO THE EXHAUST SYSTEM

4. The speaker acoustic system is attached to the exhaust pipe using clamps.



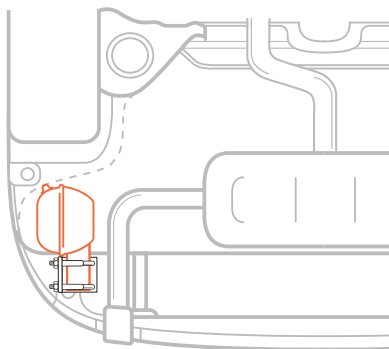
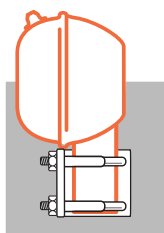
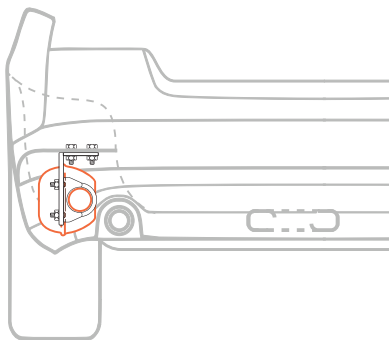
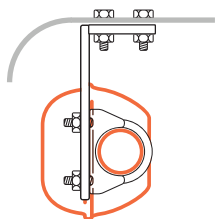
MOUNTING THE SPEAKER ACOUSTIC SYSTEM ONTO VEHICLE BODY

1. The speaker acoustic system is attached to the vehicle body using a straight bracket.



MOUNTING THE SPEAKER ACOUSTIC SYSTEM ONTO VEHICLE BODY

2. The speaker acoustic system is attached to the vehicle body using an angle bracket.



MOUNTING THE SPEAKER ACOUSTIC SYSTEM BY WELDING



IT IS FORBIDDEN TO WELD THE SPEAKER ACOUSTIC SYSTEM HOUSING!

WARNING!

When installing the speaker acoustic system in the exhaust system, it is required to make a thermal gaps (at least 3-5 cm) to protect the device against high temperatures and overheating.

It is forbidden to mount the housing of speaker acoustic system close to the exhaust system elements (mufflers, resonators and pipes) and exhaust manifold, otherwise the warranty will be cancelled.

Please install the speaker acoustic system in the way to avoid its contact with the elements of the vehicle body while the vehicle is moving in order to prevent vibration and bumping against the body.

Speaker system should be securely fastened.

Route the connecting cable of the speaker acoustic system through regular inlet sleeves ensuring sufficient level of their sealing.

Perform the system connection with the main harness in accordance with wiring diagram (see page 24).

THOR MAIN UNIT INSTALLATION

THOR electronic exhaust system should be installed by a qualified auto electrician only.

When choosing an installation place, please consider the need for cooling the device. Leave a free space around the THOR electronic unit.

THOR electronic control unit is intended for installation inside the vehicle interior.

CAN-BUS CONNECTION

Please perform CAN-bus wiring only when the electronic control unit of THOR system is disconnected. It is recommended to use a short wires as possible.

It is not recommended to extend the CAN-bus wiring.

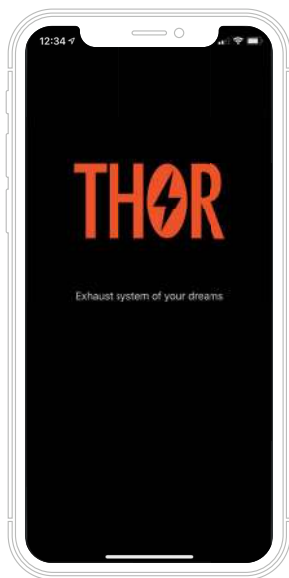
POWER CIRCUIT CONNECTION

Connect the positive power wire to the vehicle electrical circuit that should be de-energized in the absence of the driver. The power circuit should have a current rating not lower than the rating of the fuse used in THOR electronic unit harness. It is recommended to use a wiring circuit that does not lose voltage during starter operation. Don't connect power to unknown circuits.

ROUTING HARNESSSES

If possible, route harnesses through a regular conduits. Use rubber or plastic bushings, or use the standard wiring transition points under the vehicle bottom. Please take into account the elongation of the exhaust pipes when heated and use wires of corresponding length.

THOR APP DOWNLOADING AN INSTALLATION



Scan the QR code
to download the app.

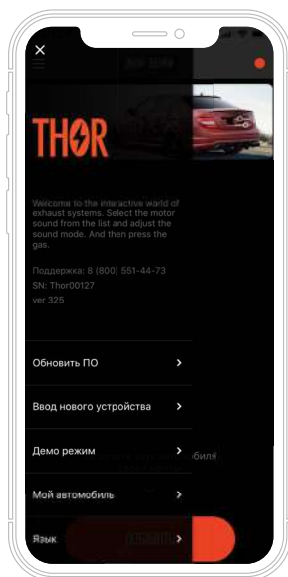
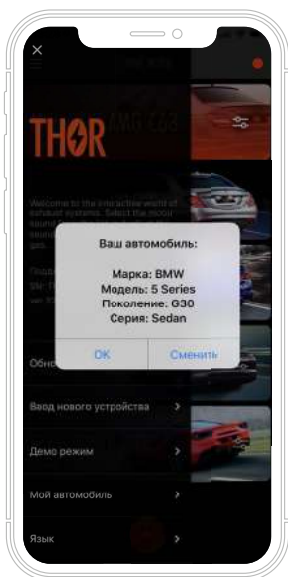
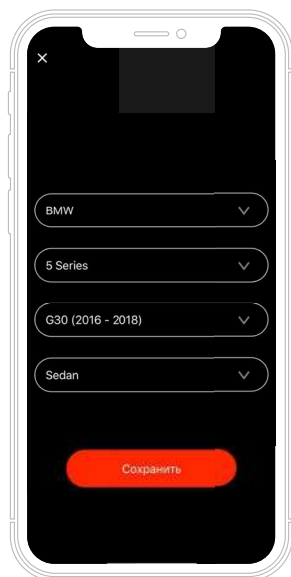


INSTALLATION AND CONNECTION

- When installing the mobile app, please allow the use of the geolocation for full function Bluetooth operation.
- After the installation, search available devices and establish the connection between the THOR app and the main unit.
- The serial numbers of available devices will be displayed automatically.
- Select the name of the device that you are going to connect.
- Swipe to refresh the list of devices if necessary.
* touch the screen and drag from top to bottom

SELECTING THE CAR

- Enter the vehicle data and tap “Save”.
- After saving the vehicle information, the device will be programmed according to the selected car.
- Use APP menu to switch between vehicles.



⚠ IF THE VEHICLE IS NOT SUPPORTED, PLEASE CONTACT OUR TECHNICAL SUPPORT.

Technical support
contact:

Phone / **+49 170 976 76 74**
E-mail: **Info@torotr.eu**

THOR SYSTEM CHECK

- Start the engine and check the system sound during engine speed change.
- Perform the operating modes switching.



! IN CASE THE SYSTEM IS NON-OPERATIONAL, PLEASE CHECK THE POWER CIRCUIT, AS WELL AS THE CORRECTNESS OF SYSTEM CONNECTION.



You can download the app manual from official website if necessary.

REMOTE PROGRAMMING

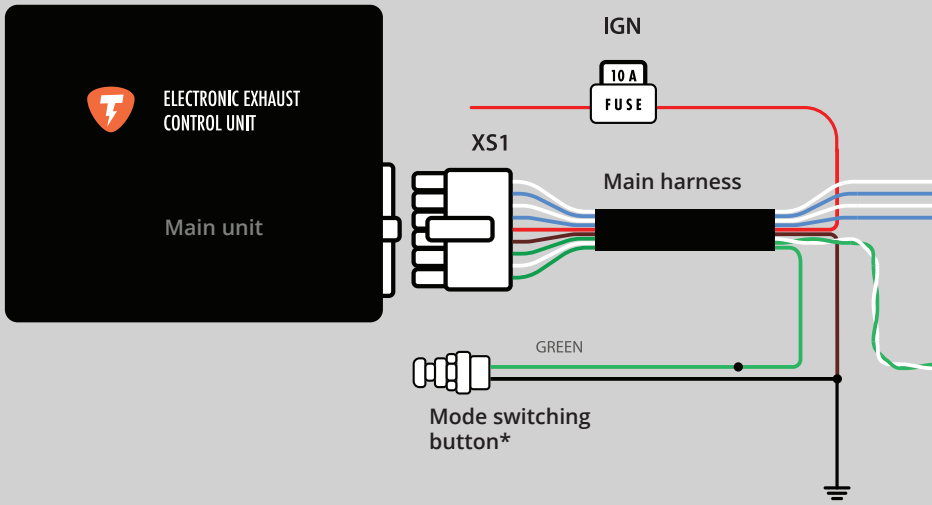
In case the message “Your vehicle type is not supported” appears in the mobile app when choosing your vehicle type, please contact out technical support and prepare the following equipment for remote programming:

- Windows PC or laptop with Internet access;
- Micro USB cable suitable for data transfer;
* charging cable may not work for this application
- Remote connection software — Teamviewer or Anydesk:

www.teamviewer.com

anydesk.com

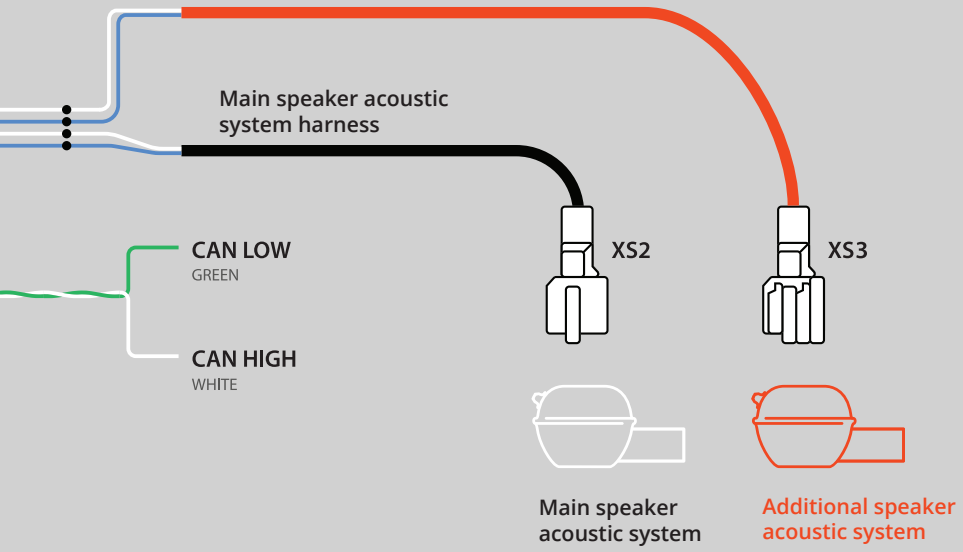
INSTALLATION DIAGRAM



** Not included*

- Connect securely and isolate

Version with an additional speaker acoustic system



WARRANTY

THOR electronic exhaust system has a warranty period of 1.5 years from the date of installation, but not more than 2 years from the date of manufacturing.

THOR electronic exhaust system should be installed in certified installation centers. If you install the system by your own, you take full responsibility associated with vehicle damage due to the lack of experience, necessary skills and tools for installing the system.

THOR electronic exhaust system components that fail during the warranty period due to the manufacturer's fault should be replaced or repaired by the installer.

Non-defective components are not replaced under the warranty!

The decisions of the manufacturer (installer) on claims are final. Defective parts that have been replaced are the property of the manufacturer (installer).

The customer loses the right to warranty service in the following cases:

- warranty period expiration
- violation of the rules of installation, operation, transportation and storage;
- presence of mechanical damage, including exposure to fire and corrosive liquids or water;
- using components from the other manufacturers without the THOR's manufacturer permission;
- after dismantling the system, the guarantee for the new installation is agreed upon additional request to the THOR technical support service.

Repair and maintenance of THOR electronic exhaust system with an expired warranty period is carried out at the expense of the customer.



THOR

UAB "Toro Trade "
+49 170 976 76 74
Info@torotr.eu